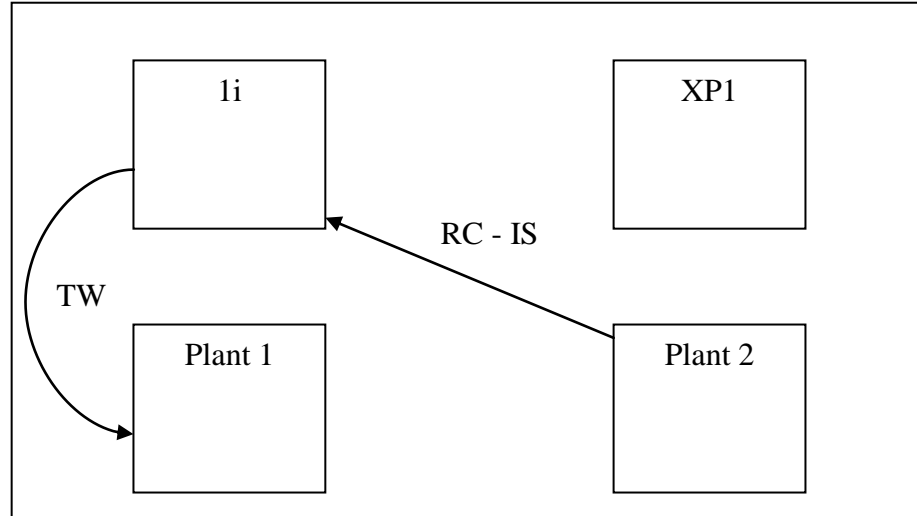




FOB Shipping for MISL

FOB Shipping for MISL

MISL – FOB Ship



One of the limitations of traditional MISL transactions is in accounting for inter-company transactions and when goods legally change hands. For some organizations this raises serious legal, regulatory and accounting issues. But FOB (Free-on-Board) Shipping for MISL changes all of that.

FOB Shipping for MISL solves this problem simply and effectively: When goods leave the supplying site (Plant 2) an inventory ship transaction (IS) is created. This transaction is offset by a miscellaneous receipt (RC) to the InterSite warehouse (1i). To complete the transaction a transfer warehouse (TW) from the InterSite warehouse (1i) to the demand site (Plant 1).

FOB Shipping

Is FOB Shipping for MISL right for your organization? We'd welcome the opportunity to discuss your organizations requirements.



AGILITY, INC.

7000 Fitzwater Road, Suite 220
Brecksville, Ohio 44141
440.546.9290 Phone
www.agility-inc.com
sales@agility-inc.com